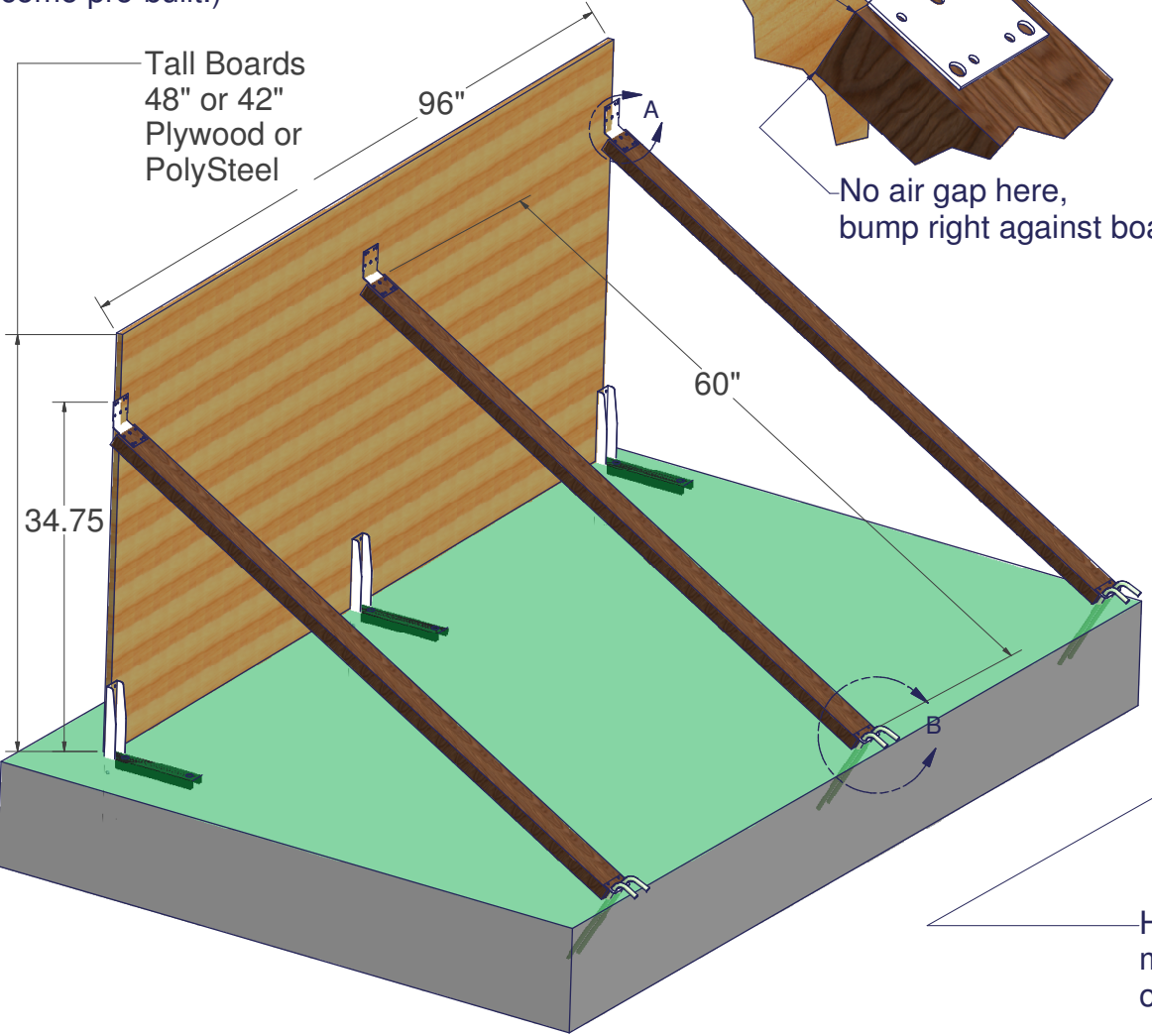


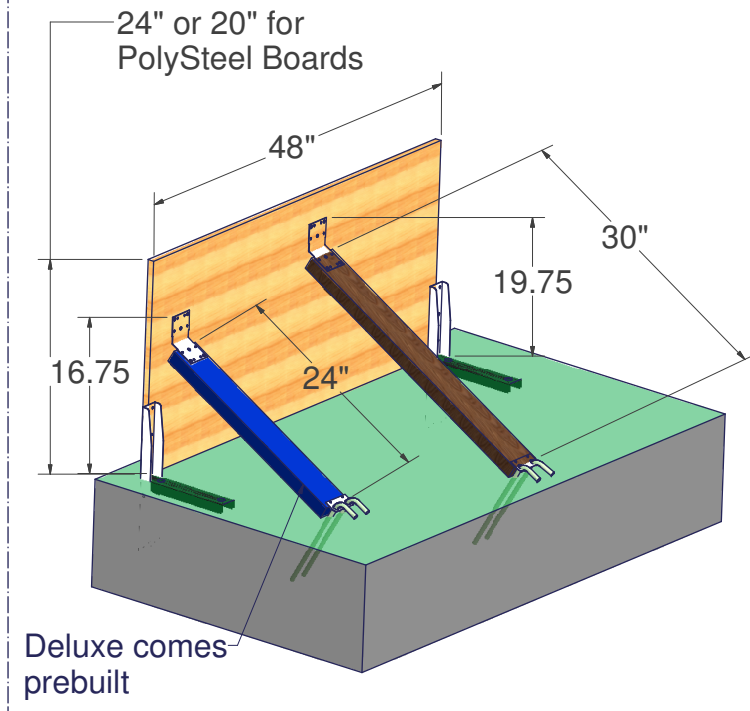
Outrigger Bracket Installation

Outrigger Bracket for Backboards

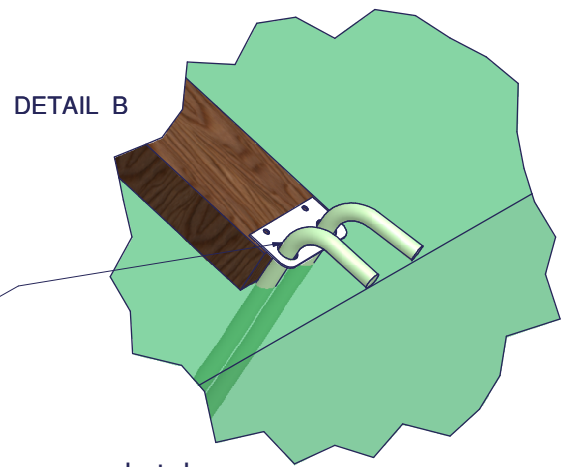
- 1) Mount 4' by 8' sheet of plywood or Poly Steel Boards directly to Iron Sleek Brackets
- 2) Build cross support with Outrigger Brackets as shown in detail A and detail B, (deluxes come pre-built.)



Outrigger Bracket for over 16" of water



- 3) Insert ground stakes as shown



Holes for ground stakes
 must be lined up to the edge
 of the outrigger "2 by 4"